

APPLICATIONS
Cadillac DTS 2006-2009
Cadillac SRX 2007-2009

CT23CA05

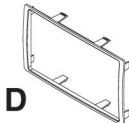
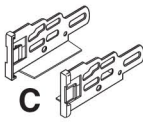
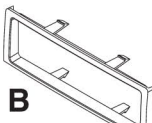
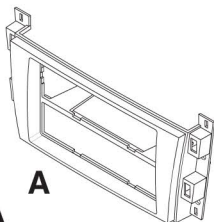
KIT FEATURES

- DIN Radio Provision with Pocket
- ISO Mount Radio Provision with Pocket
- Double DIN Radio Provision
- Stacked ISO Mount Units Provision



KIT COMPONENTS

- A) Radio Housing • B) ISO Trim Plate • C) ISO Brackets • D) Double DIN Trim Plate
• E) Double DIN Brackets • F) Pocket

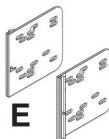
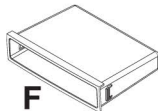


A

B

C

D



F

E

WIRING AND ANTENNA CONNECTIONS
(Sold Separately)

- GMOS-LAN-01 - GM LAN Interface 2006-up
- GMOS-LAN-02 - GM LAN Amplified-Interface 2006-up
- GMOS-LAN-05 - GM Digital LAN Amp Interface With Onstar 2007-up
- Antenna Adapter:
40-CR10 - Chrysler/GM Antenna Adapter 2002-up

TOOLS REQUIRED:

- Small Flat Blade Screwdriver/ Panel Removal Tool
• Phillips Screwdriver • Socket Set



TABLE OF CONTENTS

Dash Disassembly

Chevrolet

- Cadillac DTS 2006-20091

- Cadillac SRX 2007 -20092

Kit Assembly

DIN Radio Provision with Pocket 3

ISO Mount Radio Provision with Pocket 4

Double DIN Radio Provision 5

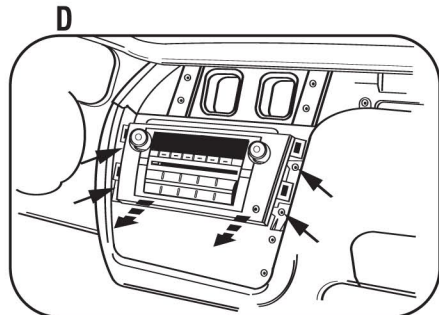
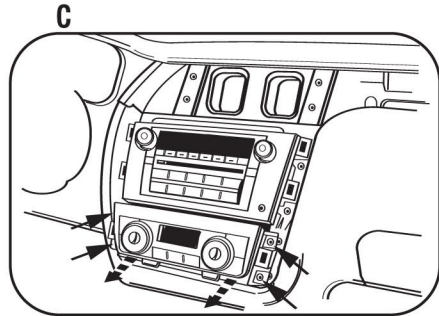
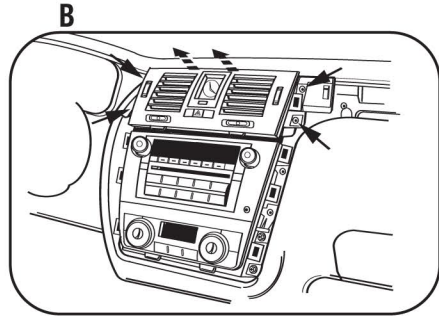
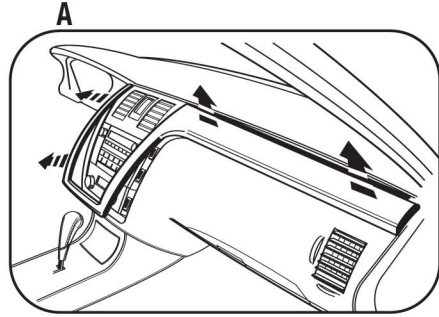
Final Assembly 6

• Refer also to the instructions included with the aftermarket radio.

Cadillac DTS 2006-2009

- 1 Disconnect the negative battery terminal to prevent an accidental short circuit.
- 2 Unclip and remove the trim panel around the radio, climate controls and ac vents and above glove box. **(Figure A)**
- 3 Remove (4) 9/32" screws securing the a/c vent panel. Unplug and remove the panel. **(Figure B)**
- 4 Remove (4) 9/32" screws securing the climate controls. Unplug and remove the climate controls. **(Figure C)**
- 5 Remove (4) 9/32" screws securing the radio. Unplug and remove the radio. **(Figure D)**

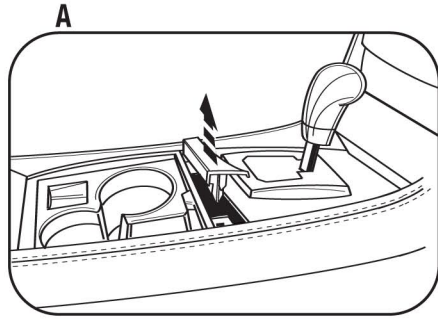
Continue to kit assembly.



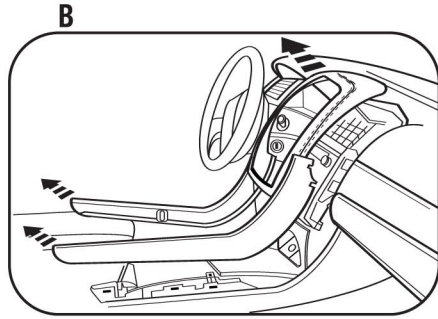
Cadillac SRX 2007-2009

1 Disconnect the negative battery terminal to prevent an accidental short circuit.

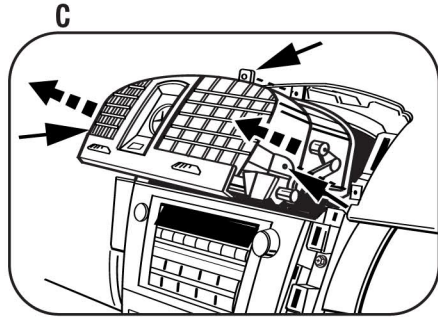
2 Unclip and remove trim piece between shifter and cup holders. **(Figure A)**



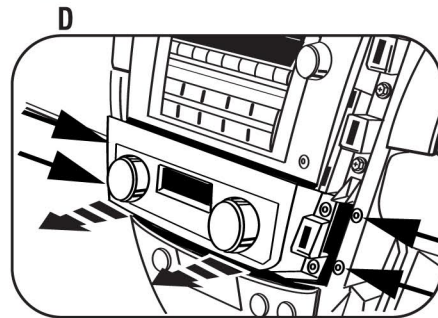
3 Unclip and remove the trim panel around the radio, climate controls, ac vents and front half of center console. **(Figure B)**



4 Remove (3) 9/32" screws securing the a/c vent panel and remove the panel. **(Figure C)**

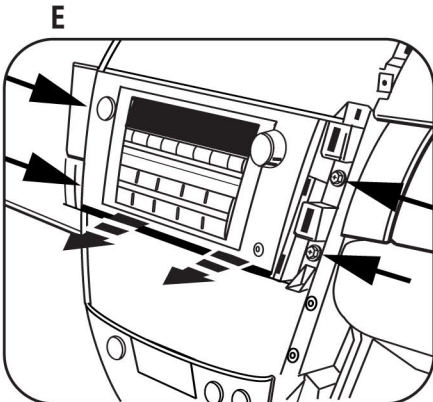


5 Remove (4) 9/32" screws securing the climate controls. Unplug and remove the climate controls. **(Figure D)**



6 Remove (4) 9/32" screws securing the radio. Unplug and remove the radio. **Figure E)**

Continue to kit assembly.

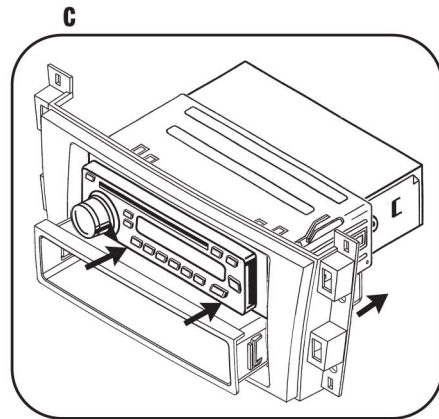
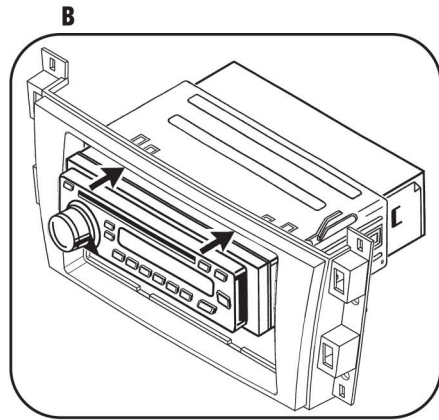
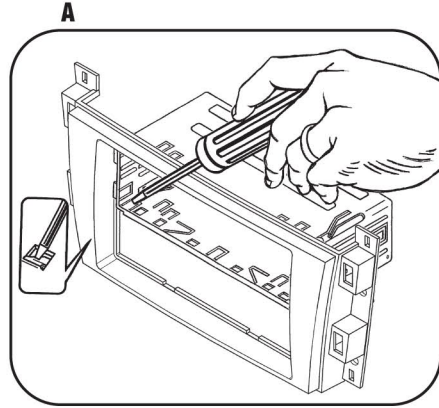


DIN RADIO PROVISION WITH POCKET

**Note: Refer also to the instructions included with the aftermarket radio.*

- 1 Slide the DIN cage into the Radio Housing and secure by bending the metal locking tabs outward. (Figure A)
- 2 Slide the aftermarket radio into the cage until it snaps into place. (Figure B)
- 3 Snap the pocket into the housing. (Figure C)

Continue to final assembly.



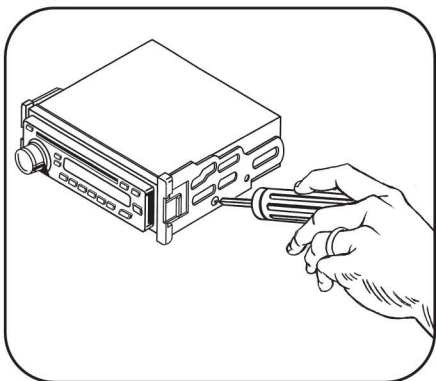
ISO MOUNT RADIO PROVISION WITH POCKET

**Note: Refer also to the instructions included with the aftermarket radio.*

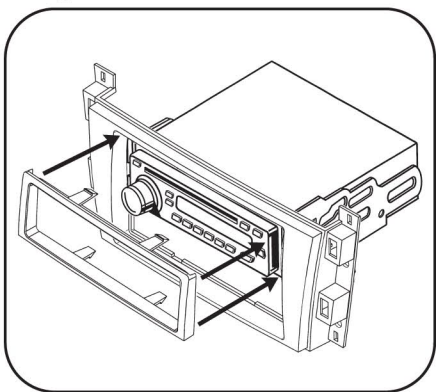
- 1 Mount the ISO Brackets to the radio using the screws supplied with the radio. (Figure A)
- 2 Slide the radio into the radio housing until it snaps into place. (Figure B)
- 3 Snap the trim plate onto the front of the radio housing. (Figure B)
- 4 Snap the pocket into the housing. (Figure C)

Continue to final assembly.

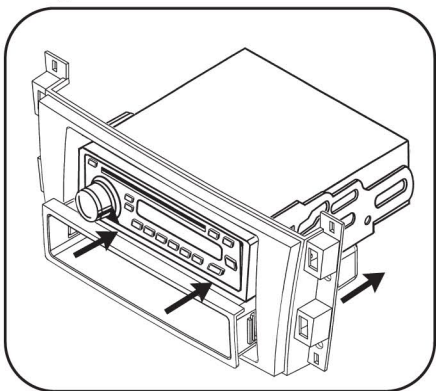
A



B



C



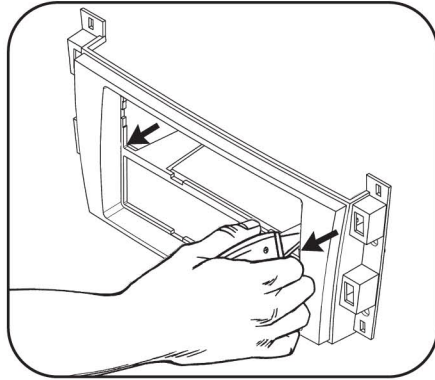
DOUBLE DIN RADIO PROVISION

**Note: Refer also to the instructions included with the aftermarket radio.*

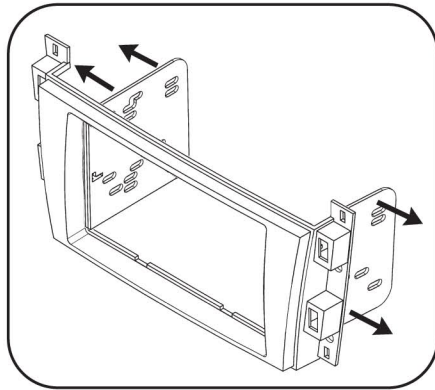
- 1 Cut and remove the center bar from the radio housing. (Figure A)
- 2 Snap the Double DIN brackets to the inside edge of the radio housing. (Figure B)
- 3 Slide the Double DIN radio or stacked ISO mount units into the bracket/radio housing assembly then secure to the assembly using the screws supplied with the radio or ISO mount units. (Figure C)
- 4 Snap the Double DIN Trim plate onto the front of the Radio Housing. (Figure C)

Continue to final assembly.

A



B



C

