

APPLICATIONS

Cadillac CTS 2003-2007

Cadillac SRX 2004-2006

CT23CA03

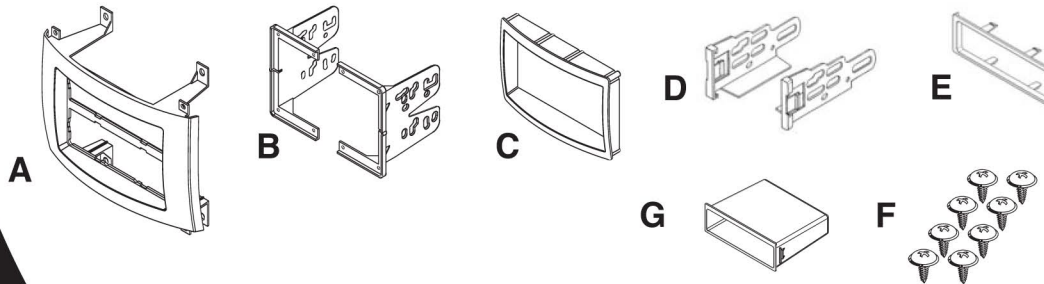
KIT FEATURES

- DIN Radio Provision with Pocket
- ISO Mount Radio Provision with Pocket
- Double DIN Radio Provision
- Stacked ISO Mount Units Provision
- Stacked DIN Head Units Provision
- Painted To Match Factory Dash



KIT COMPONENTS

- A) Radio Housing • B) DDIN Brackets • C) DDIN Trim Plate • D) ISO Brackets • E) Trim Plate • F) (8) Phillips screws
• (G) Pocket



TOOLS REQUIRED:

- Phillips Screwdriver • Small Flat Blade Screwdriver • Socket Wrench

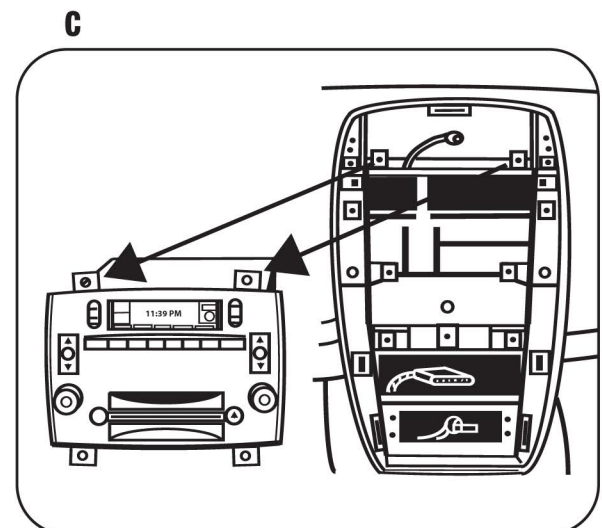
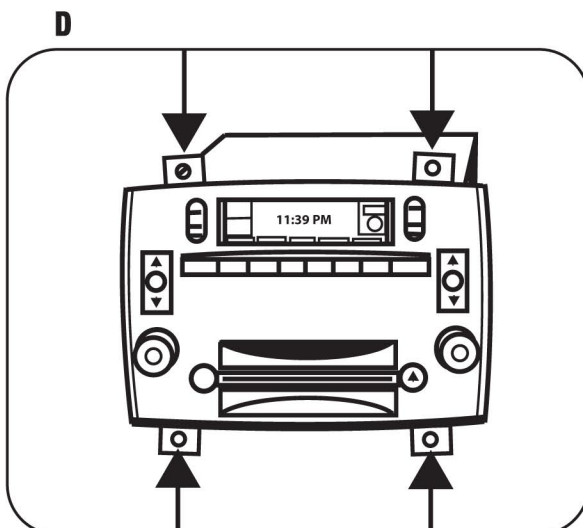
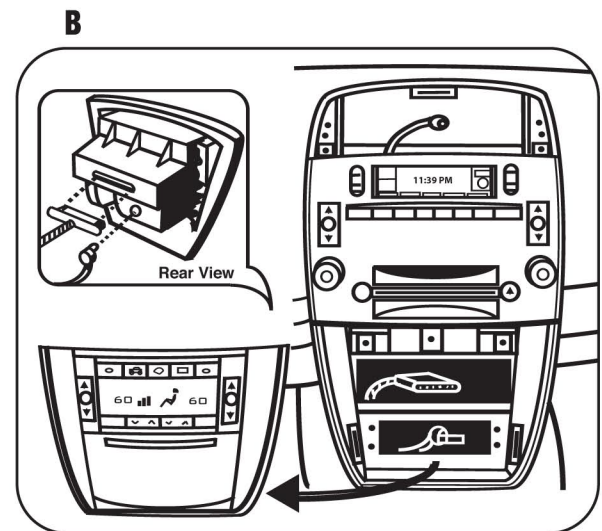
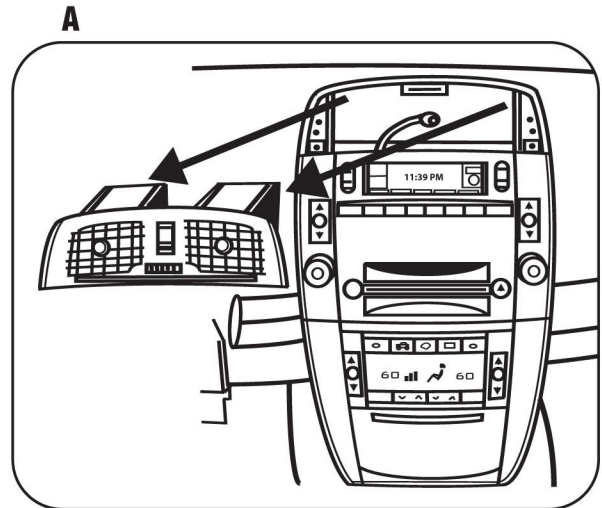


TABLE OF CONTENTS

<i>Dash Disassembly</i>	1
<i>Kit Assembly</i>	2, 3, 4
<i>Final Assembly</i>	5

CADILLAC CTS 2003-2007 **CADILLAC SRX 2004-2006**

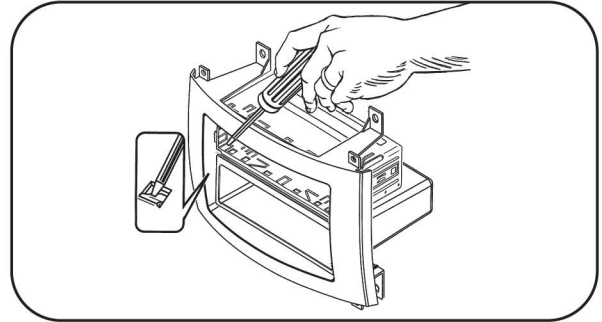
- 1** Disconnect the negative battery terminal to prevent an accidental short circuit.
- 2** Unclip and remove the center air vent assembly above the radio. (Figure A)
- 3** Open ashtray and remove (1) Phillips head screw from inside ashtray.
- 4** Unclip and remove the a/c control/ashtray assembly below the radio. (Figure B)
- 5** Remove (4) 10 MM screws securing the radio to the dash. (Figure C, D)



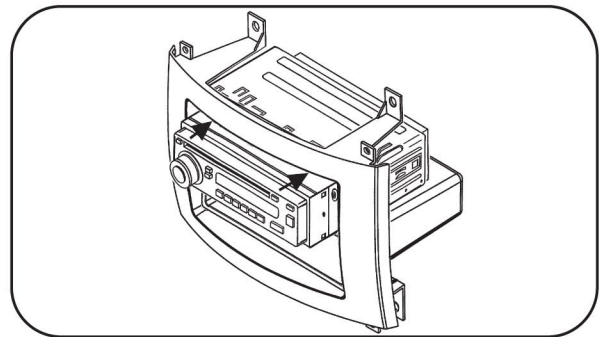
DIN RADIO PROVISION WITH POCKET

- 1 Slide the DIN cage into the Radio Housing and secure by bending the metal locking tabs down. (Figure A)
- 2 Slide the aftermarket head unit into the cage and secure. (Figure B)
- 3 Slide the supplied pocket into the unused opening.

A



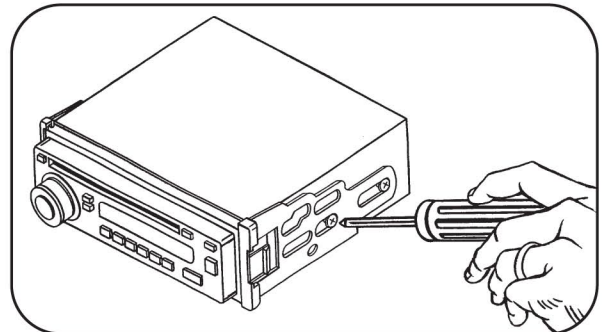
B



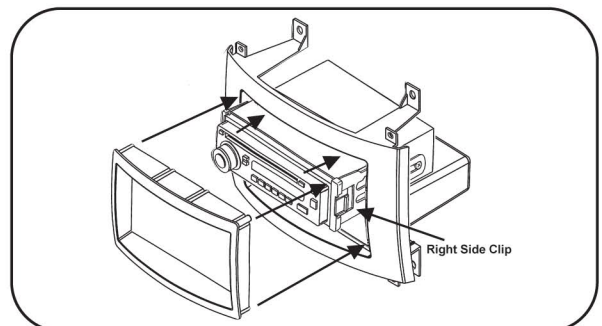
ISO MOUNT RADIO PROVISION WITH POCKET

- 1 Mount the ISO Brackets to the head unit with the screws supplied with the unit. (Figure A)
- 2 Slide the head unit into the radio opening until the side clips engage. (Figure B)
- 3 Snap the Trim plate into the Radio Housing. (Figure B)
- 4 Slide the supplied pocket into the unused opening.

A



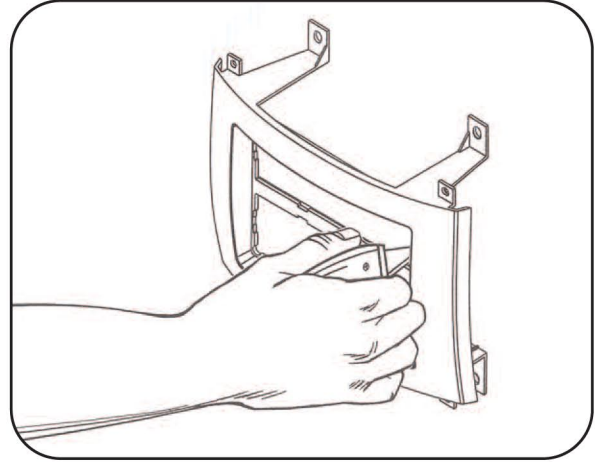
B



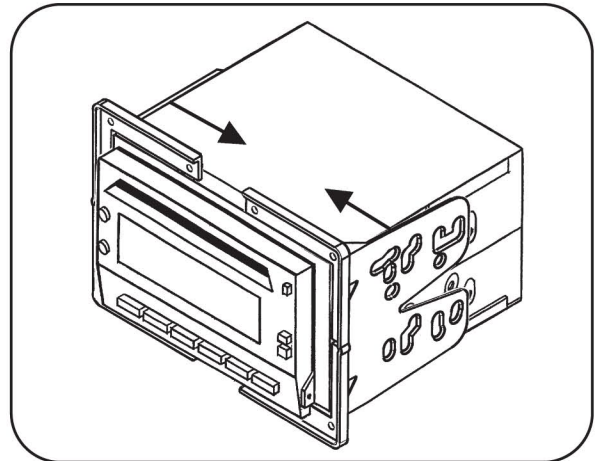
DOUBLE DIN RADIO PROVISION

- 1 Remove the centre bar from the CT23CA03 facia.
- 2 Attach the corresponding bracket to the DDIN head unit. (Figure B)
- 3 Insert the DDIN trim plate into the radio housing. (Figure C)
- 4 Position the bracket/radio assembly to the back of the radio housing and secure with the (8) Phillips screws provided. (Figure D)

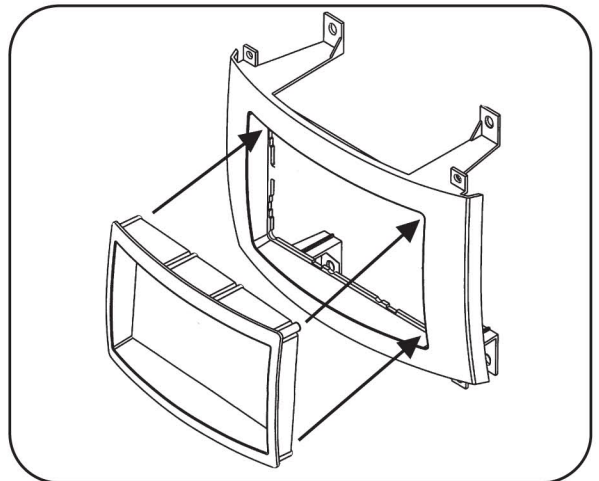
A



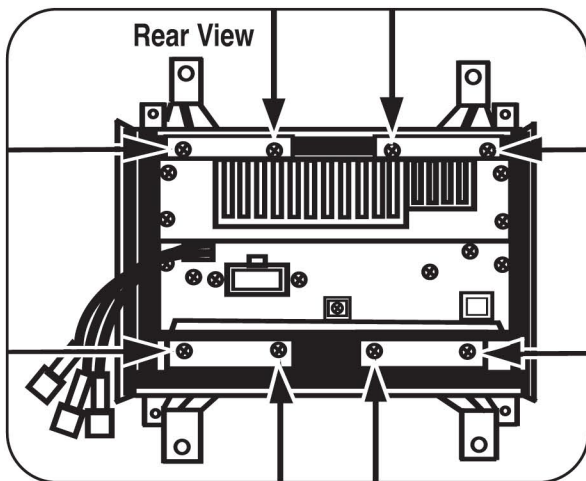
B



C



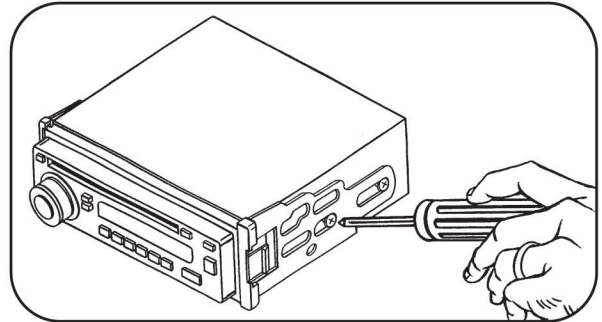
D



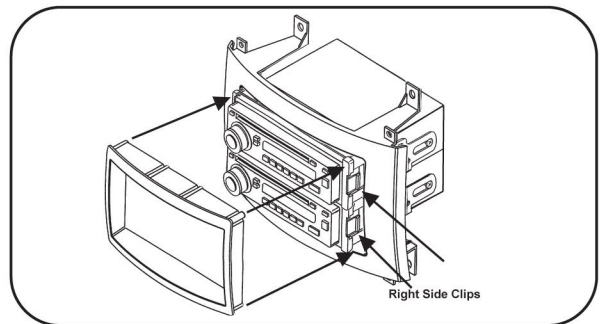
STACKED ISO MOUNT UNITS PROVISION

- 1 Mount the ISO Brackets to the head units with the screws supplied with the unit. (Figure A)
- 2 Slide the head units into the radio openings until the side clips engage. (Figure B)
- 3 Snap the Trim plate into the Radio Housing. (Figure B)

A



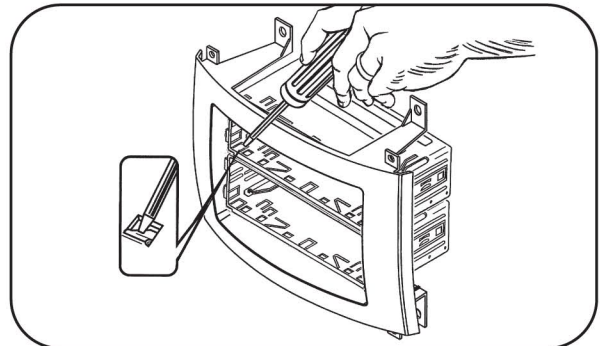
B



STACKED DIN HEAD UNITS PROVISION

- 1 Slide the DIN cages into the Radio Housing and secure by bending the metal locking tabs outward. (Figure A)
- 2 Slide the aftermarket head units into the cages and secure. (Figure B)

A



B

