



**Integration  
Reference  
Installation Guide**

**BMW**

---

IR-BMW42W  
IR-BMW42INT

# Dear Customer,

Thank you for choosing Morel for your car audio speaker solution.

Morel prides itself on engineering and producing the best high-fidelity speaker systems.

We hope you enjoy your Integration Reference speakers for years to come.

If you have any questions, please contact your Morel dealer or Morel support at:

[www.morelhifi.com](http://www.morelhifi.com)

# Components

## Component System

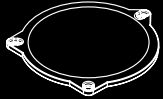
---



x2  
Midwoofer



x2  
Connecting Cable



x2  
Gasket



x2  
Adapter 1  
(already mounted)



x2  
Adapter 2



x2  
Adapter 3



x2  
Tweeter



x2  
Mounting bracket



x2  
Cable Splitter



x2  
Woofer crossover



x2  
Tweeter crossover

## Integra System

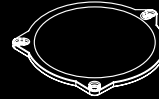
---



x2  
Coax



x2  
Connecting Cable



x2  
Gasket



x2  
Adapter 1  
(already mounted)



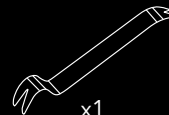
x2  
Adapter 2



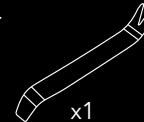
x2  
Adapter 3

## Installation tools

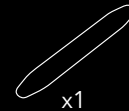
---



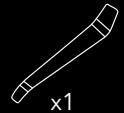
x1



x1



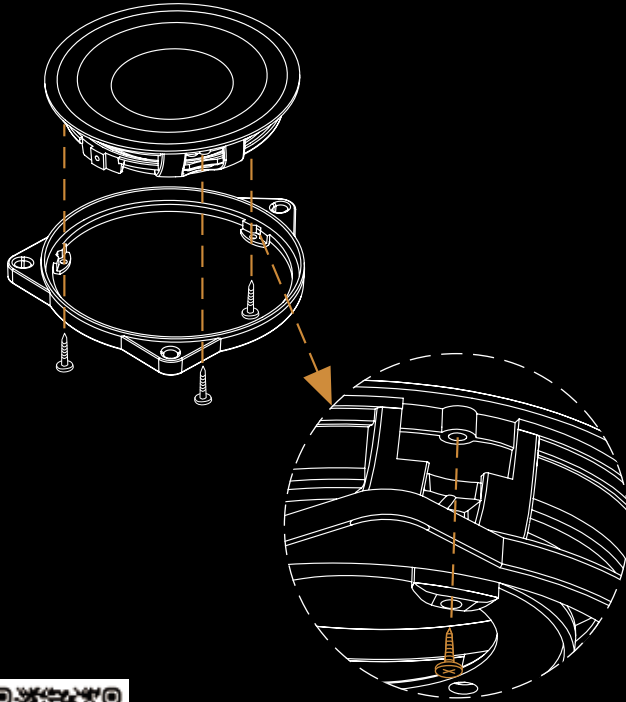
x1



x1

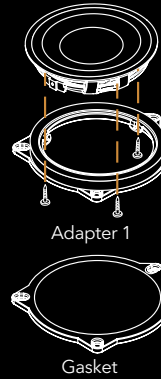
# Component Midwoofer and Coax Adapter Assembly

## Assembly Overview

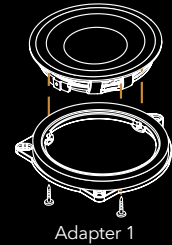


Scan for vehicle-specific compatibility information

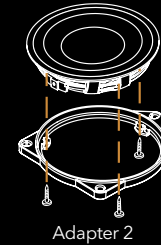
## Configuration A



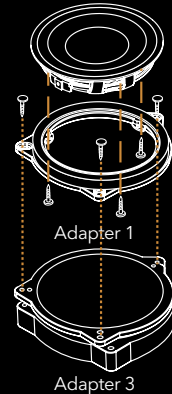
## Configuration B



## Configuration C



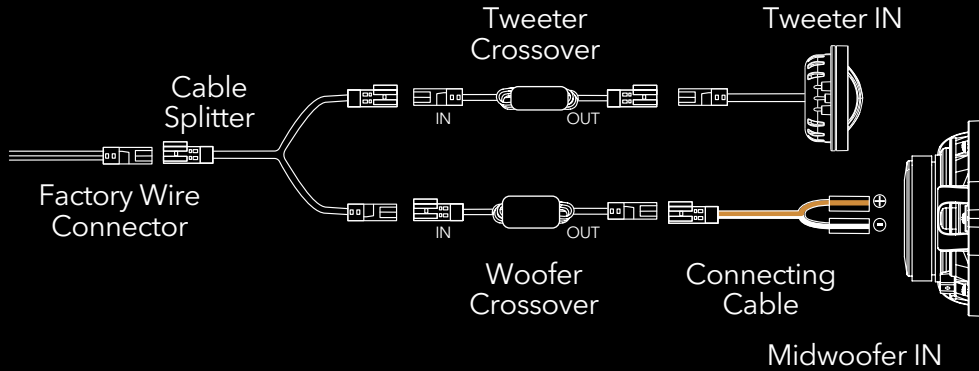
## Configuration D



# Speaker Connection

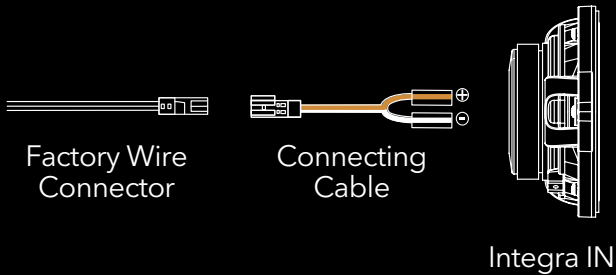
## IR-BMW42 Component System

---



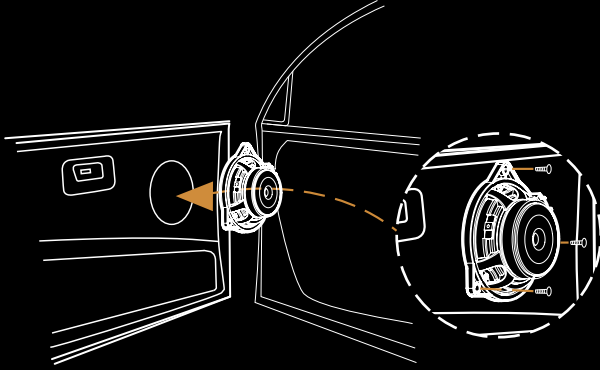
## IR-BMW42INT Integra System

---

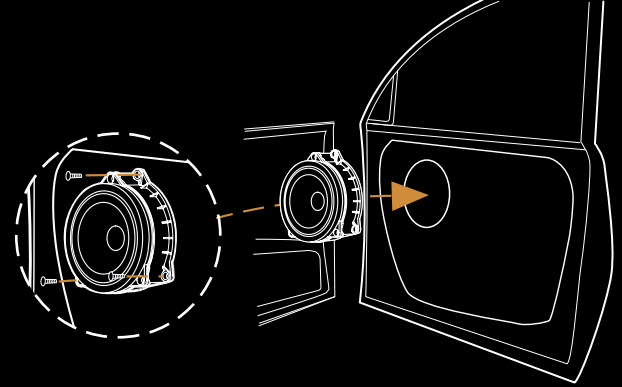


# Woofers, Integra and Tweeter Installation

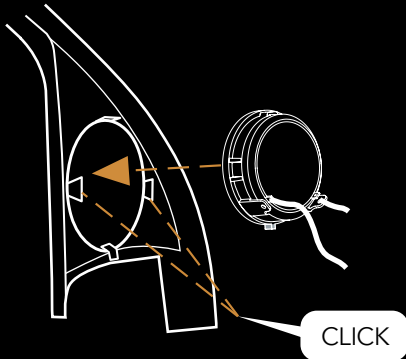
## 4" Woofer and Integra - Trim Installation



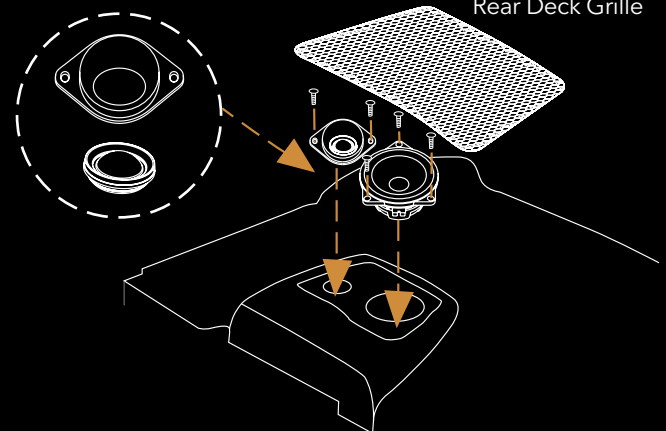
## 4" Woofer and Integra - Door Installation



## Tweeter - Front Installation



## Tweeter - Rear Deck Installation



# Specifications

	MIDWOOFER	INTEGRA
Nominal Impedance (ohm)	4	4
Power Handling Wrms	100	80
Max. Trans. Pwr Handling Wrms	300	250
Sensitivity (2.83 V/1M) dB	92	90
Frequency response Hz	50-4200	80-20,000
Resonant Freq. Fs Hz	82	92
Voice Coil Diameter mm (inch)	54 (2.1)	54 (2.1)
DC Resistance (ohm)	2.8	3
Magnet System	Neodymium	Neodymium
HE-Magnetic Gap Height mm (inch)	4 (0.16)	4 (0.16)
B-Flux Density (T)	0.95	1
BL Product/BXL	5.1	4.3
Suspension Compliance CMS - mm/N	0.5	0.5
Electrical Q Factor QES	0.36	0.5
QTS	0.3	0.4
QMS	2.12	2.47
Mech. Resistance RMS- N * S / M	1.68	1.3
Moving Mass MMS - gr/ounce	6.4(0.22)	5.2(0.18)
Equiv. Can Air Load VAS - L (cu.ft)	2.2(0.07)	0.7 (0.02)
Effective Piston Area SD sq.cm (sq.inch)	55.4(8.58)	31.6 (4.9)
Cone Material	DPC	Composite cellular fiber
Unit Diameter mm(inch)	96.7 (3.8)	96.7 (3.8)
Net Wight Kg (lb)	0.35 (0.77)	0.37 (0.81)

\* Morel operates a policy of continuous products design improvement, consequently specifications are subject to alteration without prior notice

	TWEETER	IR-BMW42
Nominal Impedance (ohm)		4
Power Handling Wrms		100
Max. Trans. Pwr Handling Wrms (10ms)		200
Sensitivity (2.83 V/1M) dB		91.5
Frequency Response Hz		1600-20000
FS Hz		900
Voice Coil Diameter mm (inch)		28 (1.1)
Voice Coil Wire		Aluminium
Magnet System		Neodymium Vented
Mounting Depth mm (inch)		20 (0.8)

CROSSOVERS	TWEETER	MIDWOOFER
Crossover Point	2700Hz/12dB (highpass)	2700Hz/12dB (lowpass)

**Wishing you many years of sound enjoyment!**



Morel, Ness Ziona, 70400 Israel.  
Tel: +972-8-9301161  
Fax: +972-8-9301312  
E-mail: [info@morelhifi.com](mailto:info@morelhifi.com)

Morel America, Chandler, AZ, USA  
Toll free number: 1-877-667-3511  
Fax: 1-718-721-1560  
E-mail: [info@morelamerica.com](mailto:info@morelamerica.com)

[www.morelhifi.com](http://www.morelhifi.com)



Scan for vehicle-specific  
compatibility information